



PLACER

WEIGHT DATA AND SPECS

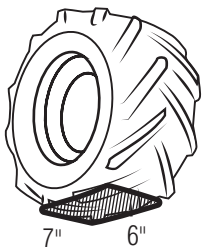
All weights denote a working load with concrete

Operational Weight:
1300 lb.

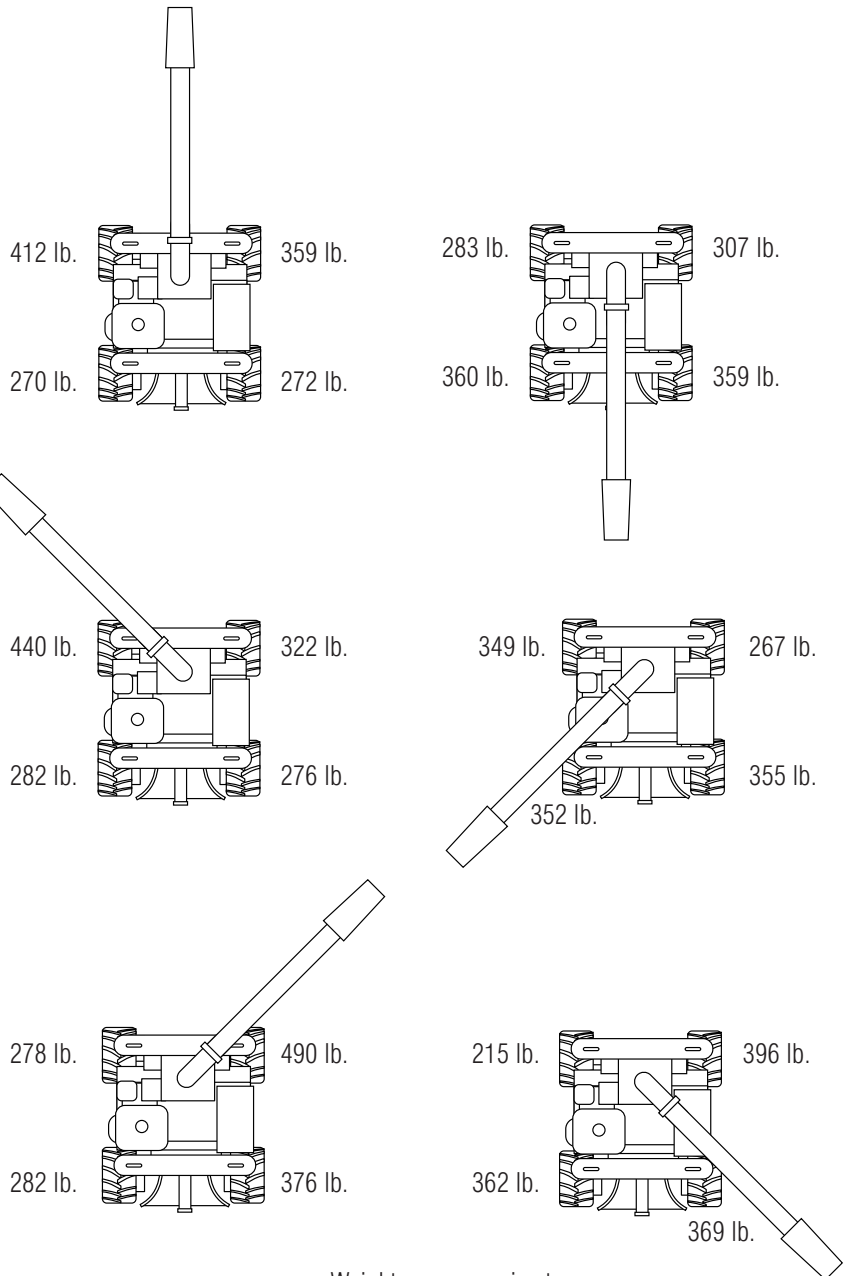
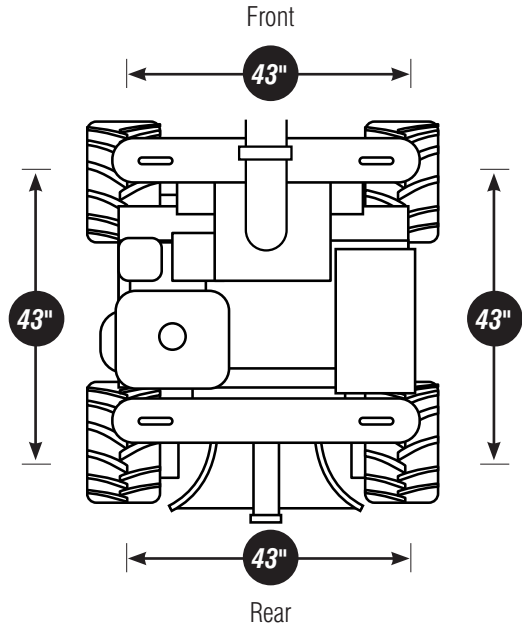
Absolute Maximum Weight
(with concrete) on any single wheel is
490 lb.

A 42 sq. in. tire contact patch gives a
Working Weight of:
11.66 PSI

NOTE:
A 5ft. boom can be used to reduce weights



Tire contact patch
at 15 PSI is 7" w x 6" l



Weights are approximate



DRAGGER

WEIGHT DATA AND SPECS

All weights denote a working load with concrete

Operational Weight:

1115 lb.

Absolute Maximum Weight:
(with concrete) on any single wheel is

296 lb.

A 42 sq. in. tire contact patch gives a
Working Weight of:

7.04 PSI

NOTE:

A 5ft. boom can be used to reduce weights

